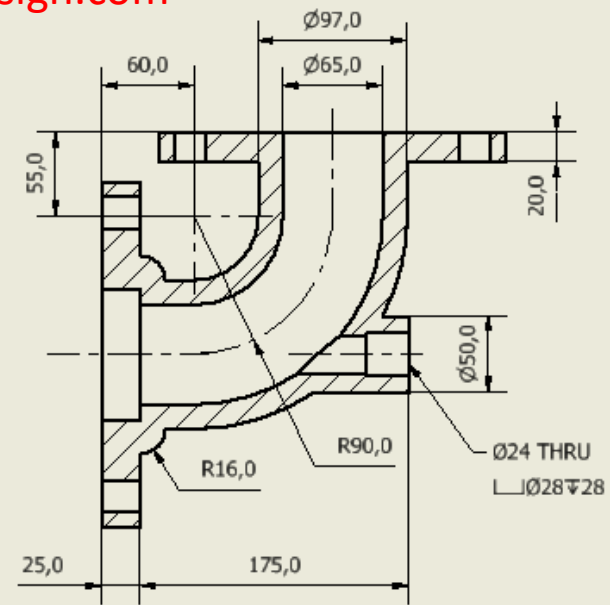
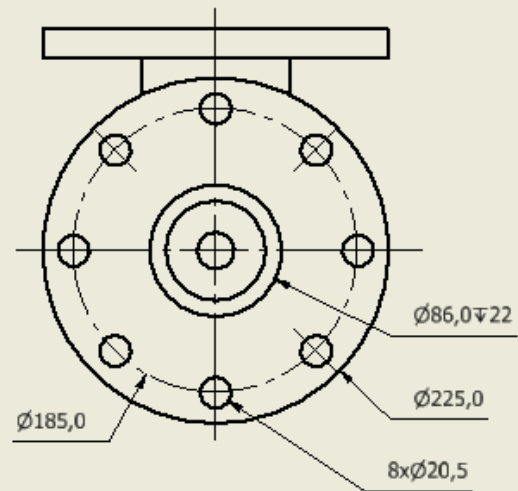


www.themachinedesign.com



SECTION A-A

Note - All Dimensions are in mm.